

Assembly Instructions

6 DRAWER DOOR CHEST

Thank you for purchasing this quality product. Carefully check all packing material for small parts which may have come loose inside the carton during shipment. Keep all hardware out of the reach of small children. Study all the instructions and drawings carefully before assembly. Check that all connections are tight and the product does not wobble before using.

1. Put backsplash on top after tucking dowels into backsplash holes. (STEP 1)
2. Screw the backsplash with brackets on cases back panel. (STEP 2)
3. Adjust chest height by adjustable leveler as needed.
4. Adjust shelves as needed. (Figure 1)
5. Adjust conceal shelf as needed. (Figure 2)

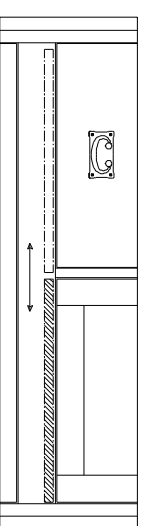
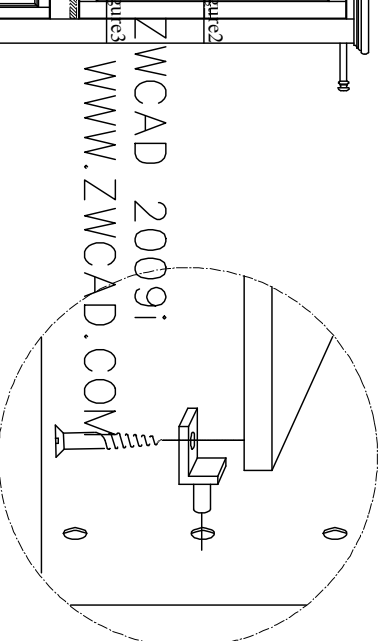
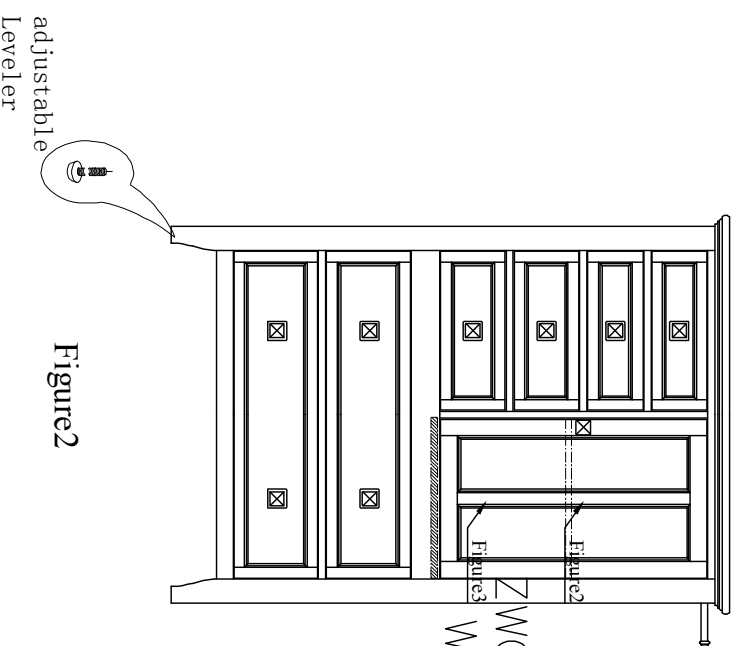


Figure 2